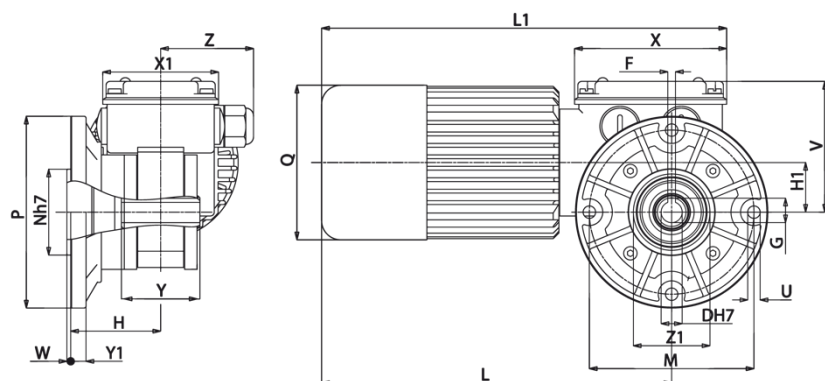






## Motoreduktor model MCC 60-230W do 9Nm

Typ	A	B	C	D	F	G	H	H1	K	L	L2	Q	V	W	X	X1	Y	Y1	Z	kg
MCC 24MP	38	47	58	11	4	12.8	30	26	5.5	183	99	81	69	28	80	60	41	4.5	56	1.60



### B5

Typ	D	F	G	H	H1	L	L1	M	N	P	Q	U	V	W	X	X1	Y	Y1	Z	Z1	kg
MCC 24MP	11	4	12.8	48	26	153	181	86	45	100	81	6.5	69	2	80	60	41	8	56	40	1.80